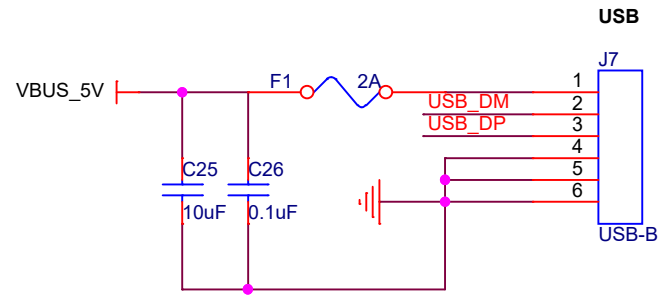
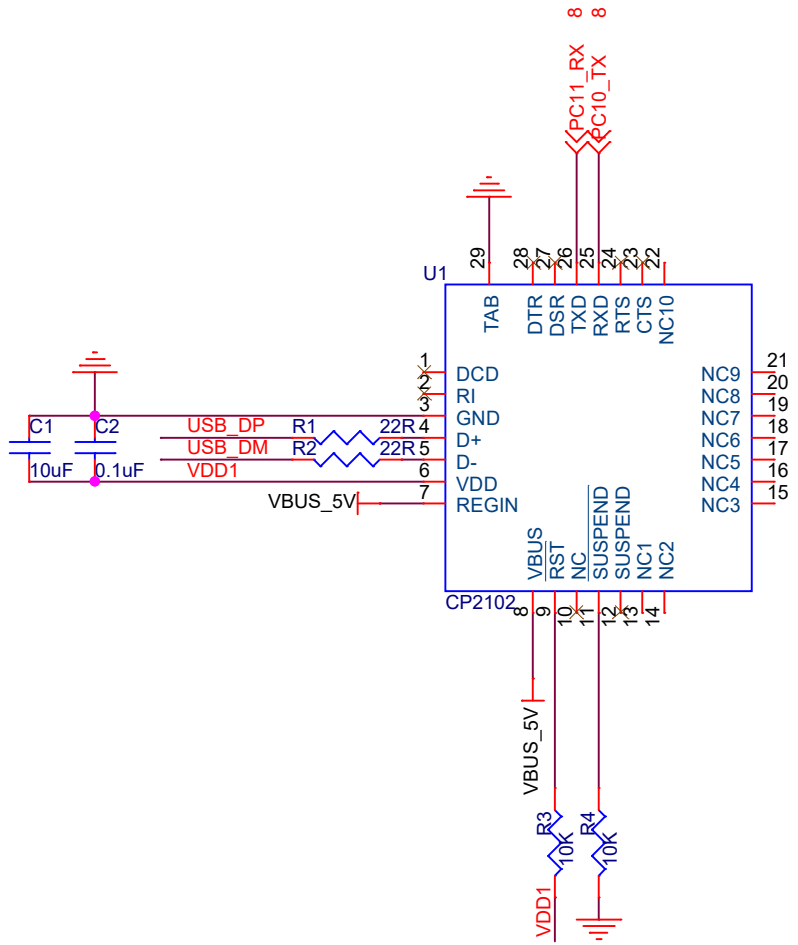


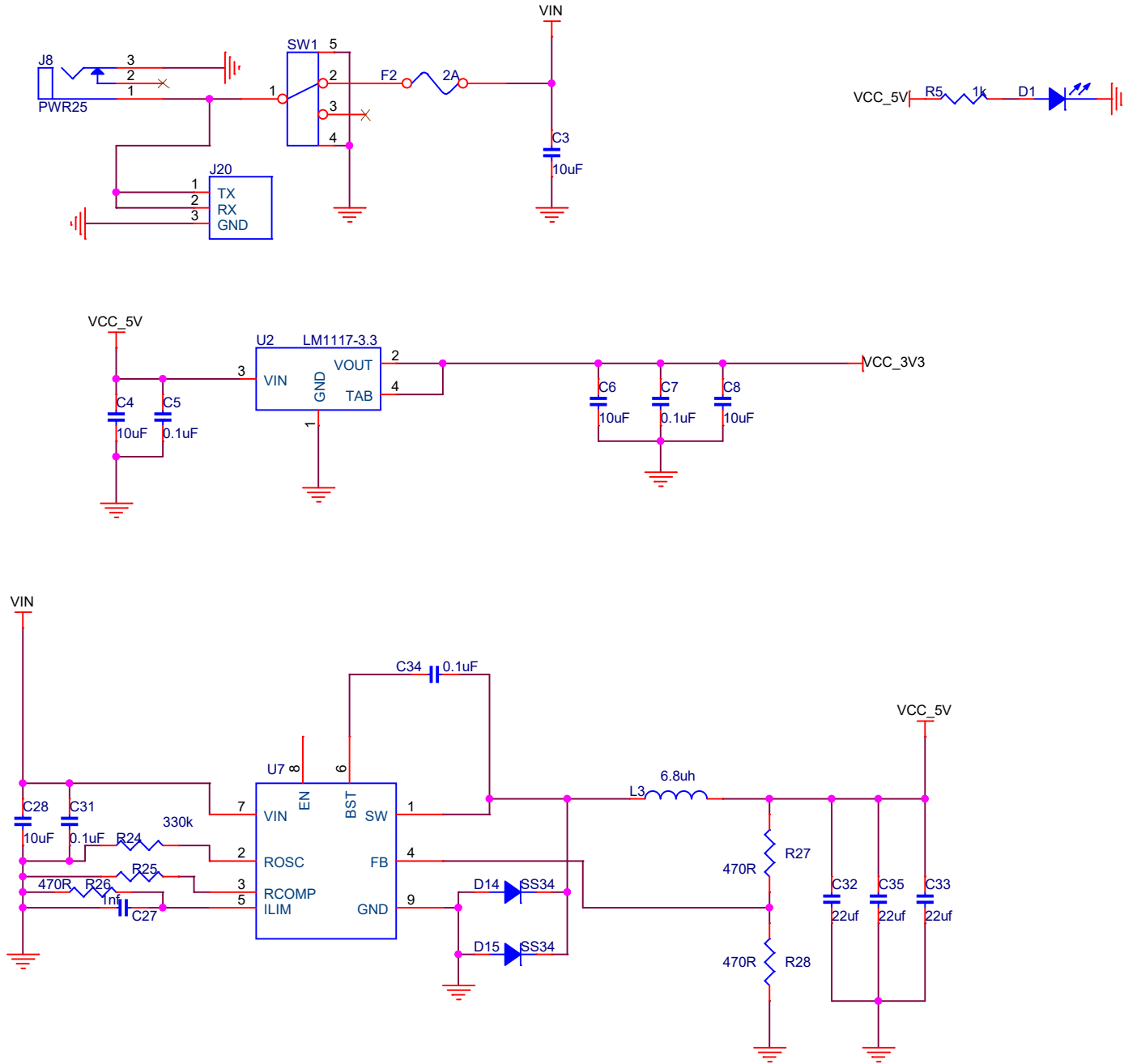
Title <Title>		
Size A	Document Number <Doc>	Rev <RevCode>
Date:	Thursday, July 07, 2016	Sheet 2 of 9

POWER_CONVERTER

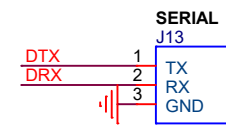
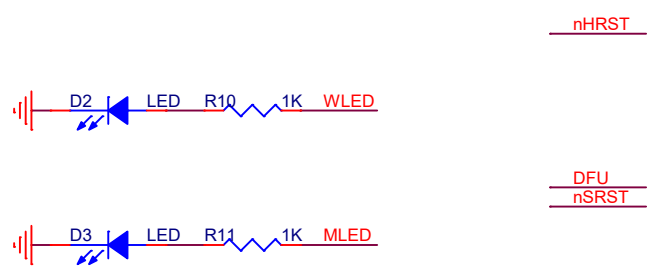
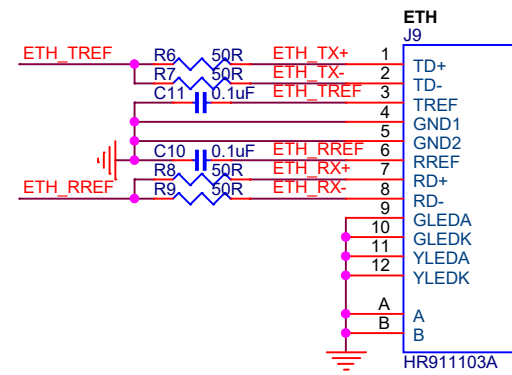
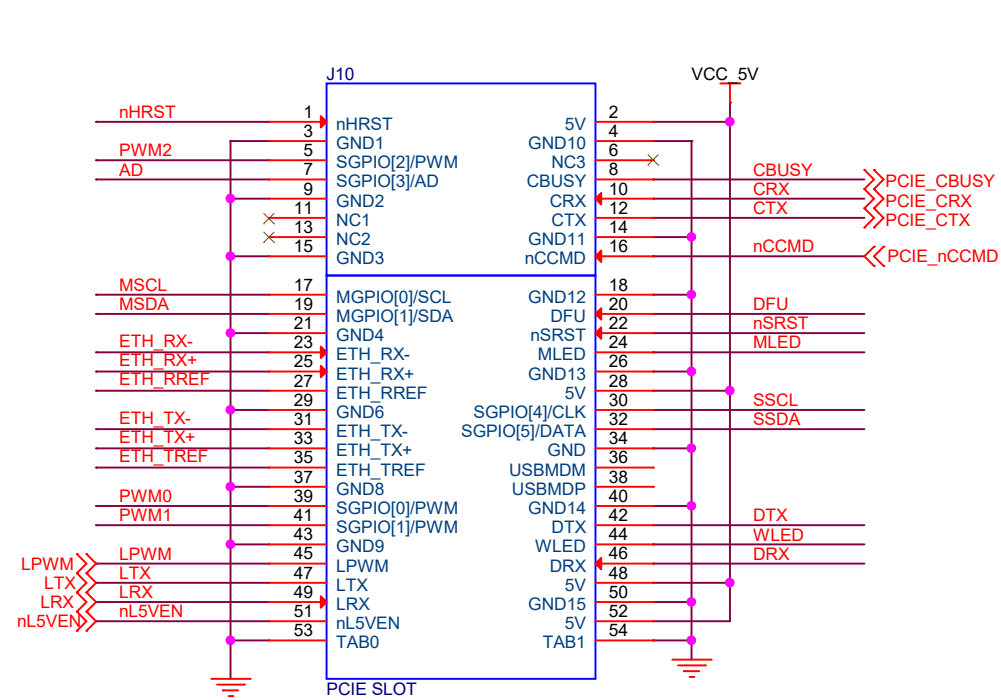


Title		
<Title>		
Size	Document Number	Rev
A	<Doc>	<RevCode>
Date:	Monday, July 11, 2016	Sheet 3 of 9

POWER_CONVERTER



PCIE



STM32

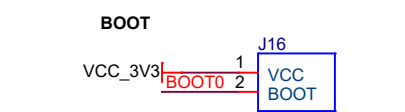
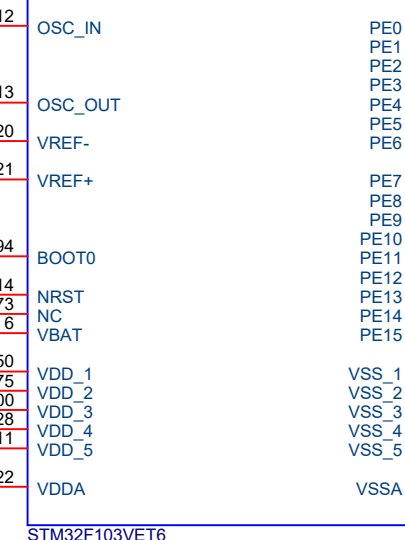
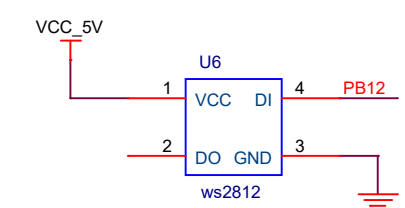
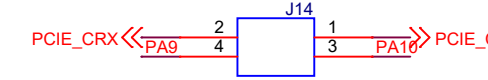
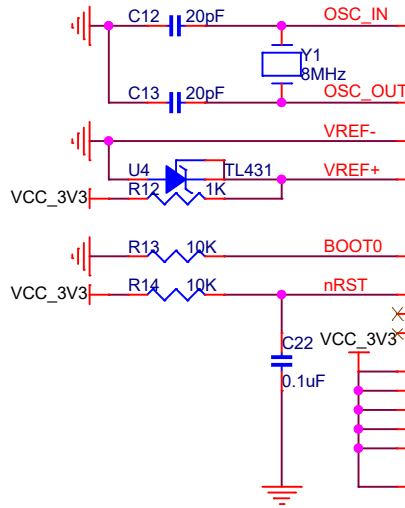
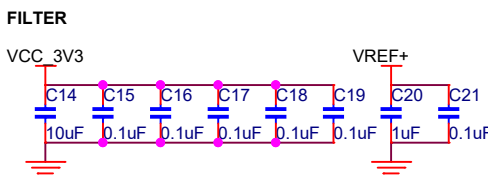
U3

CHARGE_PWM	PA0/WKUP/USART2_CTS/ADC123_IN0/TIM2_CH1_ETR/TIM5_CH1/TIM8_ETR	PA0	23
	PA1/USART2_RTS/ADC123_IN1/TIM5_CH2/TIM2_CH2	PA1	24
UART2_TX_PA2	PA2/USART2_TX/TIM5_CH3/ADC123_IN2/TIM2_CH3	PA2	25
UART2_RX_PA3	PA3/USART2_RX/TIM5_CH4/ADC123_IN3/TIM2_CH4	PA3	26
BOTTOM_IR_R4	PA4/SPI1_NSS/USART2_CK/DAC_OUT1/ADC12_IN4	PA4	29
	PA5/SPI1_SCK/DAC_OUT2/ADC12_IN5	PA5	30
BATT_DETECT	PA6/SPI1_MISO/TIM8_BKIN/ADC12_IN6/TIM3_CH1/TIM1_BKIN	PA6	31
	PA7/SPI1_MISO/TIM8_CH1N/ADC12_IN7/TIM3_CH2/TIM1_CH1N	PA7	32

	PA8/USART1_CK/TIM1_CH1/MCO	PA8	67
	PA9/USART1_TX/TIM1_CH2	PA9	68
	PA10/USART1_RX/TIM1_CH3	PA10	69
PCIE_CBUSY	PA11/USART1_CTS/USBDM/CAN_RX/TIM1_CH4	PA11	70
	PA12/USART1_RTS/USBDM/CAN_TX/TIM1_ETR	PA12	71
	PA13/JTMS/SWDIO	PA13	72
	PA14/JTCK/SWCLK	PA14	76
BEEP_PWM	PA15/JTDI/SPI3_NSS/I2S3_WS/TIM2_CH1_ETR/SPI1_NSS	PA15	77

	PB0/ADC12_IN8/TIM3_CH3/TIM8_CH2N/TIM1_CH2N	PB0	35
	PB1/ADC12_IN9/TIM3_CH4/TIM8_CH3N/TIM1_CH3N	PB1	36
	PB2/BOOT1	PB2	37
	PB3/JTDO/SPI3_SCK/I2S3_CK/TRACESWO/TIM2_CH2/SPI1_SCK	PB3	89
	PB4/NJTRST/SPI3_MISO/TIM3_CH1/SPI1_MISO	PB4	90
BUMP_DETECT_L	PB5/I2C1_SMBAL/TIM3_CH2/SPI1_MOSI/I2S3_SD	PB5	91
	PB6/I2C1_SCL/TIM4_CH1/USART1_TX	PB6	92
	PB7/I2C1_SDA/FSMC_NADV/TIM4_CH2/USART1_RX	PB7	93

HOCHARGE_DETECT	PB8/TIM4_CH3/SDIO_D4/I2C1_SCL/CANRX	PB8	95
DCCHARGE_DETECT	PB9/TIM4_CH4/SDIO_D5/I2C1_SDA/CANTX	PB9	96
	PB10/I2C2_SCL/USART3_TX/TIM2_CH3	PB10	47
	PB11/I2C2_SDA/USART3_RX/TIM2_CH4	PB11	48
	PB12/SPI2_NSS/I2S2_WS/I2C2_SMBAL/USART3_CK/TIM1_BKIN	PB12	51
BUMP_DETECT_R	PB13/SPI2_SCK/I2S2_CK/USART3_CTS/TIM1_CH1N	PB13	52
	PB14/SPI2_MISO/USART3_RTS/TIM1_CH2N	PB14	53
CURRENT_SET	PB15/SPI2_MOSI/I2S2_SD/TIM1_CH3N	PB15	54



PC0	15	PC0/ADC123_IN10	
PC1	16	PC1/ADC123_IN11	
PC2	17	PC2/ADC123_IN12	BOTTOM_IR_R2
PC3	18	PC3/ADC123_IN13	BOTTOM_IR_R1
PC4	33	PC4/ADC12_IN14	BATT_MONITOR
PC5	34	PC5/ADC12_IN15	BOTTOM_IR_R3
PC6	63	PC6/I2S2_MCK/TIM8_CH1/SDIO_D6/TIM3_CH1	MOTO_RI_MONITOR
PC7	64	PC7/I2S3_MCK/TIM8_CH2/SDIO_D7/TIM3_CH2	BOTTOM_IR_E

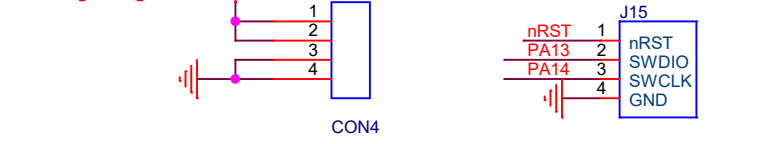
PC8	65	PC8/TIM8_CH3/SDIO_D0/TIM3_CH3	
PC9	66	PC9/TIM8_CH4/SDIO_D1/TIM3_CH4	
PC10	78	PC10/UART4_TX/SDIO_D2/USART3_TX	PCIE_nCCMD
PC11	79	PC11/UART4_RX/SDIO_D3/USART3_RX	PC10_TX_8
PC12	80	PC12/UART5_TX/SDIO_CK/USART3_CK	PC11_RX_8
PC13	7	PC13/TAMP-RTC	
PC14	8	PC14/OSC32_IN	
PC15	9	PC15/OSC32_OUT	

PD0	81	PD0/OSC_IN/FSMC_D2/CAN_RX	
PD1	82	PD1/OSC_OUT/FSMC_D3/CAN_TX	
PD2	83	PD2/TIM3_ETR/UART5_RX/SDIO_CMD	GROUND_DETECT_L
PD3	84	PD3/FSMC_CLK/USART2_CTS	ENCODER_SENSOR_R
PD4	85	PD4/FSMC_NOE/USART2_RTS	ENCODER_SENSOR_L
PD5	86	PD5/FSMC_NWE/USART2_TX	MOTO_LF_EN
PD6	87	PD6/FSMC_NWAIT/USART2_RX	MOTO_LI_MONITOR
PD7	88	PD7/FSMC_NE1/FSMC_NCE2/USART2_CK	MOTO_RF_EN

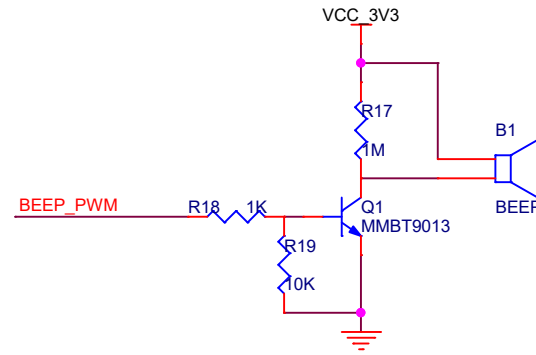
PD8	55	PD8/FSMC_D13/USART3_TX	
PD9	56	PD9/FSMC_D14/USART3_RX	
PD10	57	PD10/FSMC_D15/USART3_CK	MOTO_LB_EN
PD11	58	PD11/FSMC_A16/USART3_CTS	GROUND_DETECT_R
PD12	59	PD12/FSMC_A17/TIM4_CH1/USART3_RTS	
PD13	60	PD13/FSMC_A18/TIM4_CH2	HOME_IR_R1
PD14	61	PD14/FSMC_D0/TIM4_CH3	HOME_IR_R2
PD15	62	PD15/FSMC_D1/TIM4_CH4	HOME_IR_R3

PE0	97	PE0/TIM4_ETR/FSMC_NBL0	
PE1	98	PE1/FSMC_NBL1	
PE2	1	PE2/TRACED0/FSMC_A23	BATT_READY
PE3	2	PE3/TRACED1/FSMC_A19	BATT_CHRG
PE4	3	PE4/TRACED2/FSMC_A20	BATT_FAULT
PE5	4	PE5/TRACED3/FSMC_A21	SONAR_ECHO1
PE6	5	PE6/TRACED4/FSMC_A22	

PE7	38	PE7/FSMC_D4/TIM1_ETR	SONAR_ECHO2
PE8	39	PE8/FSMC_D5/TIM1_CH1N	SONAR_ECHO3
PE9	40	PE9/FSMC_D6/TIM1_CH1	SONAR_ECHO4
PE10	41	PE10/FSMC_D7/TIM1_CH2N	SONAR_TRIG1
PE11	42	PE11/FSMC_D8/TIM1_CH2	SONAR_TRIG2
PE12	43	PE12/FSMC_D9/TIM1_CH3N	SONAR_TRIG3
PE13	44	PE13/FSMC_D10/TIM1_CH3	MOTO_R_PWM
PE14	45	PE14/FSMC_D11/TIM1_CH4	MOTO_L_PWM
PE15	46	PE15/FSMC_D12/TIM1_BKIN	SONAR_TRIG4

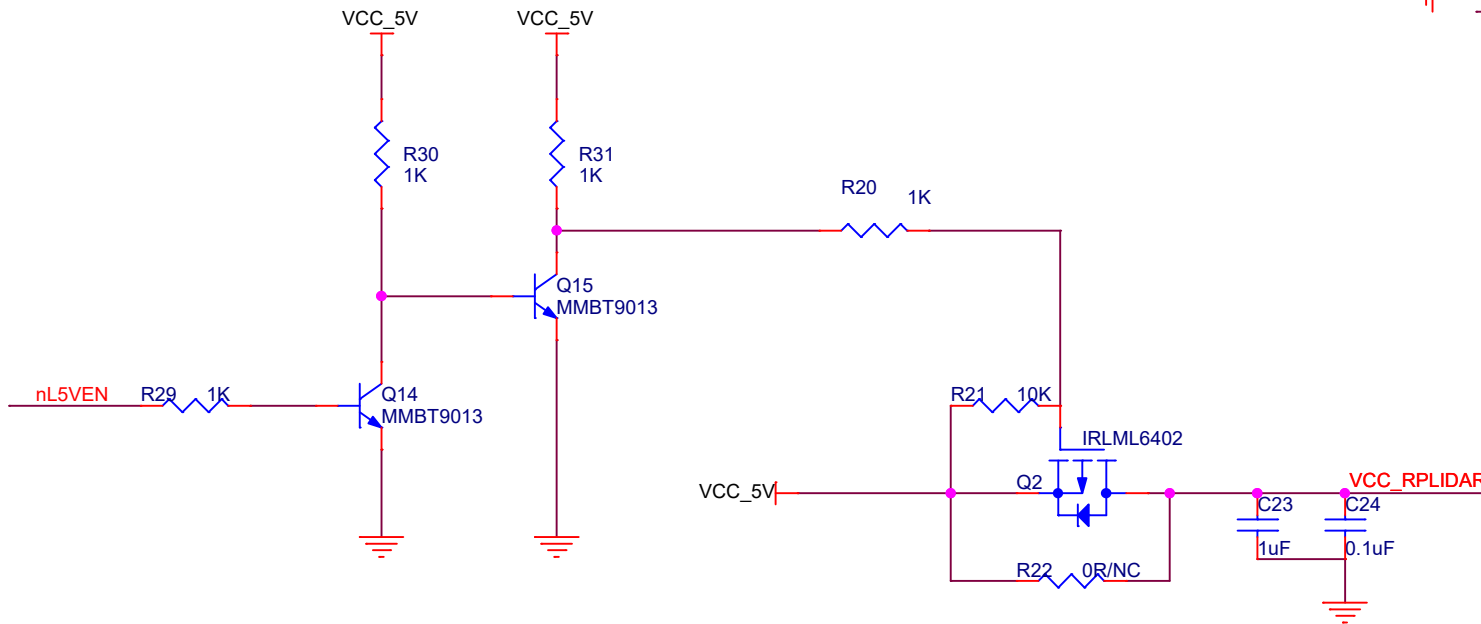
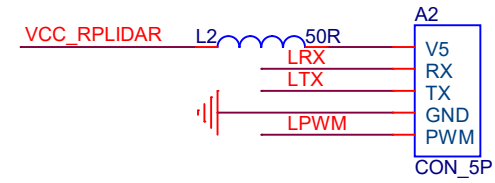
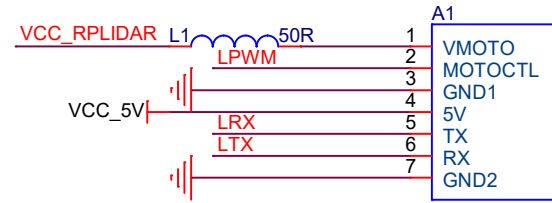
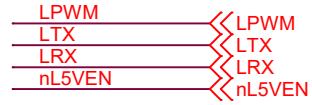


BEEP

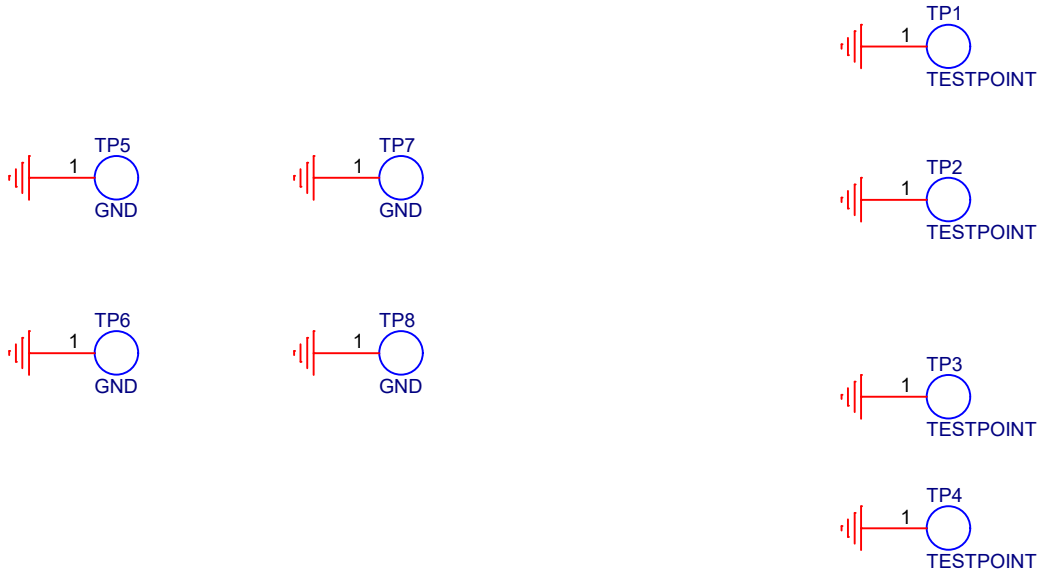


BEEP_PWM << BEEP_PWM

RPLIDAR



Title		
<Title>		
Size	Document Number	Rev
A	<Doc>	<RevCode>
Date:	Friday, January 06, 2017	Sheet 8 of 9



Title		
<Title>		
Size	Document Number	Rev
A	<Doc>	<RevCode>
Date:	Thursday, July 07, 2016	Sheet 9 of 9