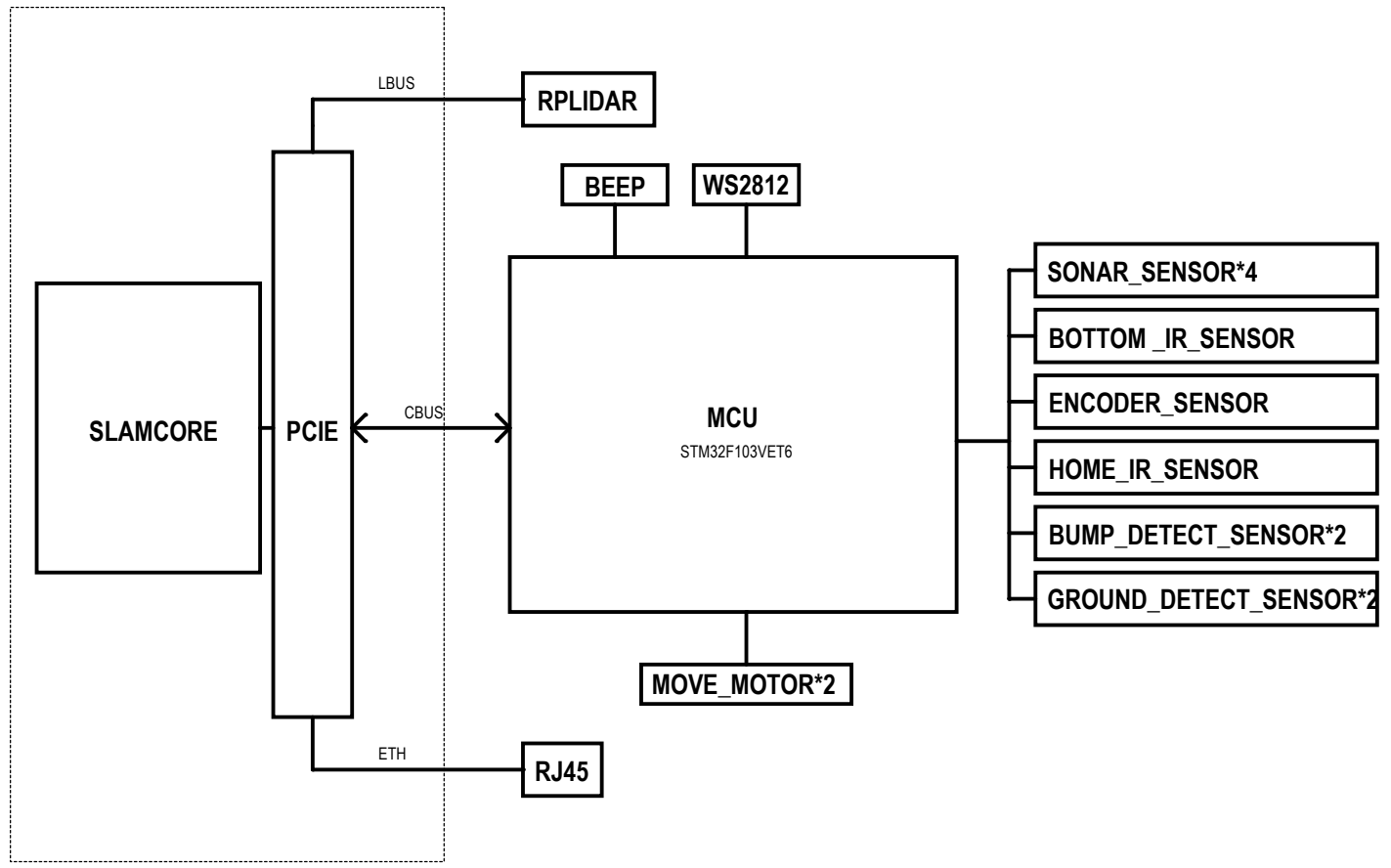
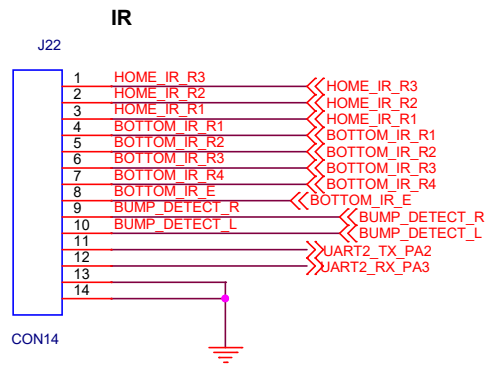
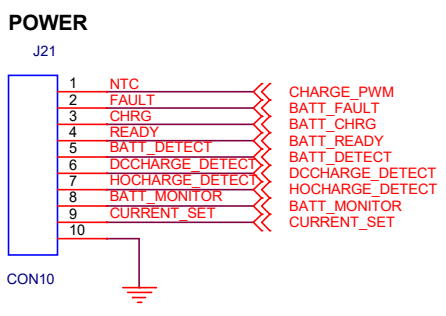
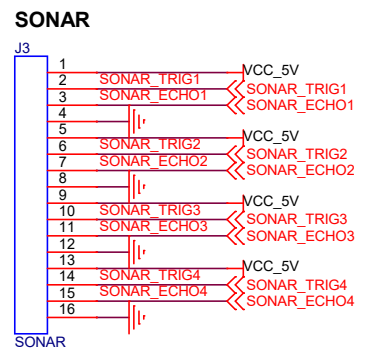
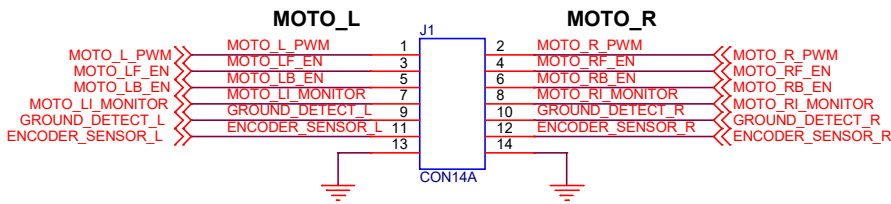


BLOCK\_DIAGRAM



I/O DEFINITION

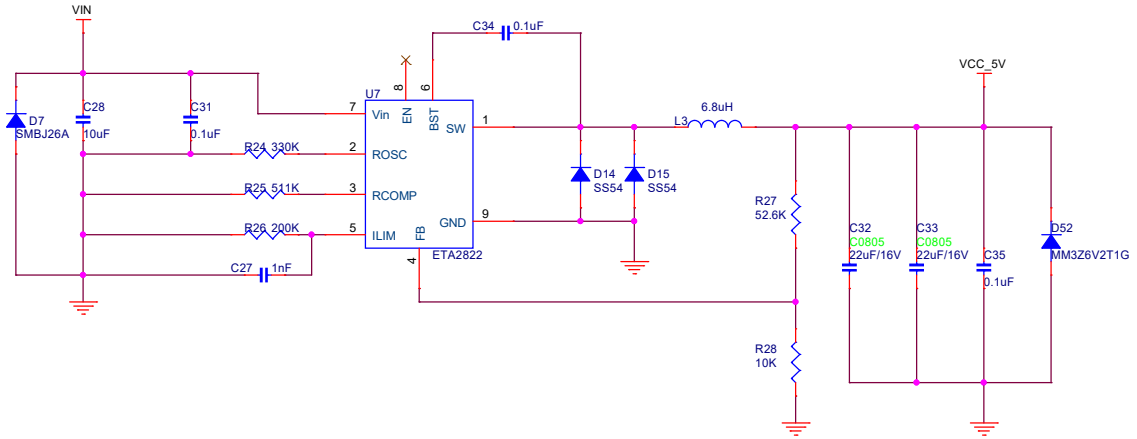
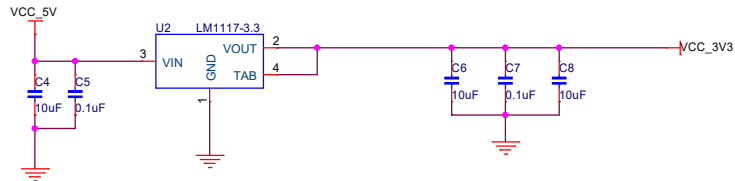
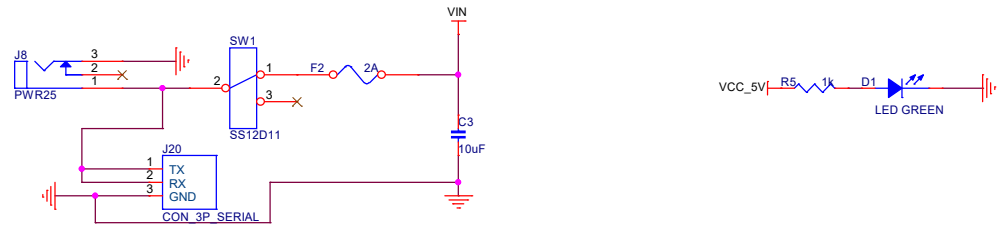
I/O	DEFINITION	I/O	DEFINITION	I/O	DEFINITION	I/O	DEFINITION	I/O	DEFINITION
PA0	BOTTOM_IR_R1(ADC123_IN0)	PB0	BRUSH_R_PWM(TIM3_CH3)	PC0	FRONT_IR_R1(ADC123_IN10)	PD0		PE0	
PA1	BLOWER_PWM(TIM5_CH2)	PB1	FRONT_IR_R4(ADC12_IN9)	PC1	BOTTOM_IR_R2(ADC123_IN11)	PD1	GROUND_DETECT_L(GPIO)	PE1	
PA2	DISPLAY_RX(USART2_TX)	PB2		PC2	BATTERY_NTC(GPIO)	PD2	ENCODER_SENSOR_R(EXTI)	PE2	BATT_CHRG(GPIO)
PA3	DISPLAY_TX(USART2_RX)	PB3	BRUSH_LI_MONITOR(GPIO)	PC3	BATT_MONITOR(ADC123_IN13)	PD3	ENCODER_SENSOR_L(EXTI)	PE3	BATT_FAULT(GPIO)
PA4	BOTTOM_IR_R4(ADC12_IN4)	PB4		PC4	BOTTOM_IR_R3(ADC12_IN14)	PD4	MOTO_LF_EN(GPIO)	PE4	BATT_TOC(GPIO)
PA5	FRONT_IR_R2(ADC12_IN5)	PB5	BUMP_DETECT_L(GPIO)	PC5	MOTO_RI_MONITOR(GPIO)	PD5	MOTO_LI_MONITOR(GPIO)	PE5	BATT_READY(GPIO)
PA6	BATT_DETECT(ADC12_IN6)	PB6	PULL UP	PC6	FRONT_IR_E(BASIC TIMER)	PD6	MOTO_RF_EN(GPIO)	PE6	BLOWER_I_MONITOR(GPIO)
PA7	FRONT_IR_R3(ADC12_IN7)	PB7	PULL UP	PC7	BOTTOM_IR_E(BASIC TIMER)	PD7	MOTO_RB_EN(GPIO)	PE7	
PA8		PB8	HOCHARGE_DETECT(GPIO)	PC8	GRB_PWM(TIM8_CH3)	PD8	BRUSH_RI_MONITOR(GPIO)	PE8	
PA9	PCIE_CRX(USART1_TX)	PB9	DCCHARGE_DETECT(GPIO)	PC9	PCIE_nCCMD(GPIO)	PD9	MOTO_LB_EN(GPIO)	PE9	
PA10	PCIE_CTX(USART1_RX)	PB10		PC10		PD10	GROUND_DETECT_R(GPIO)	PE10	
PA11		PB11		PC11		PD11		PE11	
PA12	PCIE_CBUSY(GPIO)	PB12		PC12		PD12	HOME_IR_R1(TIM4_CH1)	PE12	
PA13	PROGRAMMER(SWDIO)	PB13	BUMP_DETECT_R(GPIO)	PC13		PD13	HOME_IR_R2(TIM4_CH2)	PE13	MOTO_R_PWM(TIM1_CH3)
PA14	PROGRAMMER(SWCLK)	PB14		PC14		PD14	HOME_IR_R3(TIM4_CH3)	PE14	MOTO_L_PWM(TIM1_CH4)
PA15	BEEP_PWM(TIM2_CH1_ETR)	PB15	CURRENT_SET(GPIO)	PC15		PD15		PE15	



Title		
<Title>		
Size	Document Number	Rev
A	<Doc>	<RevCo
Date:	Thursday, April 26, 2018	Sheet 2 of 9

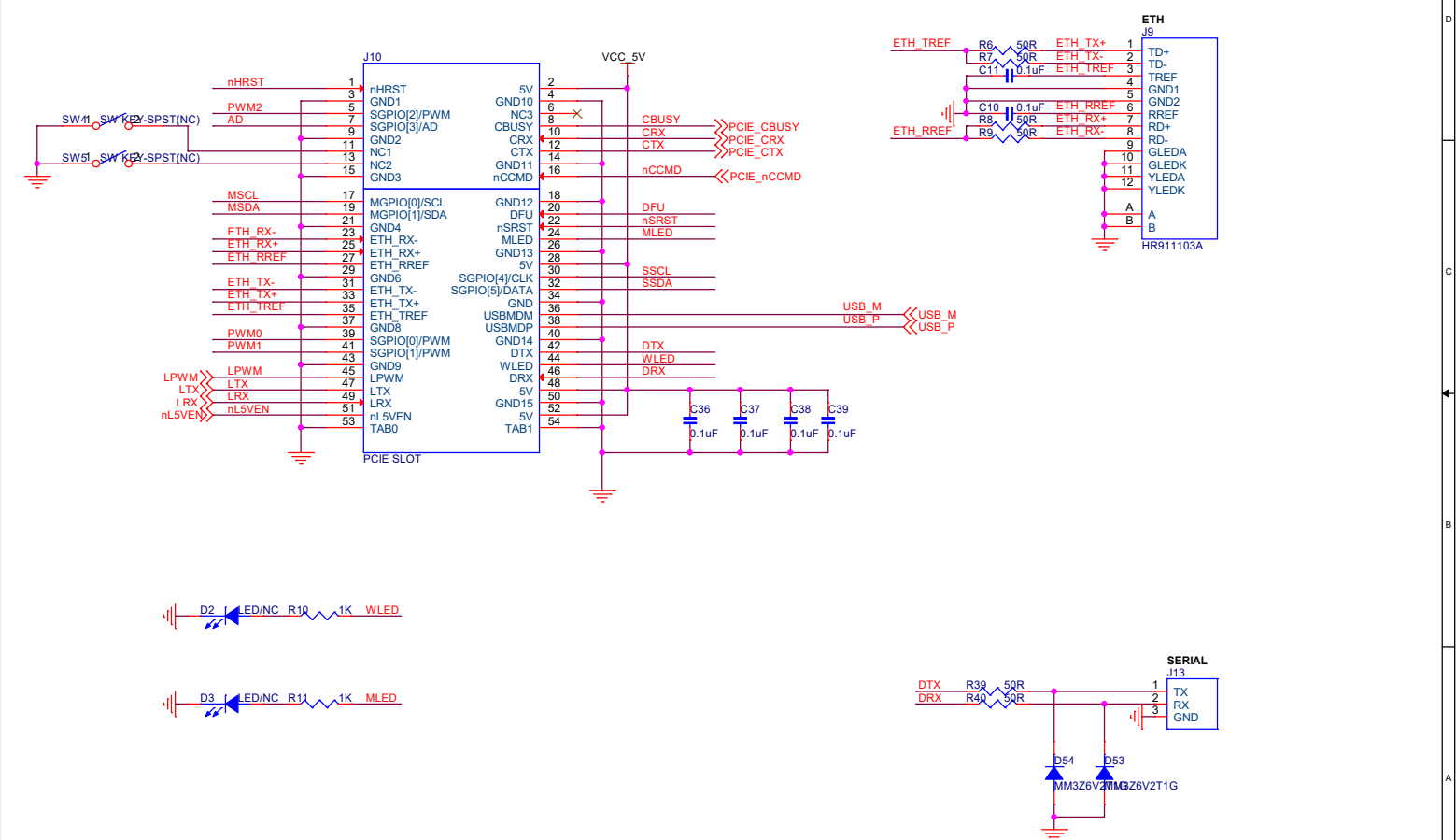


POWER\_CONVERTER



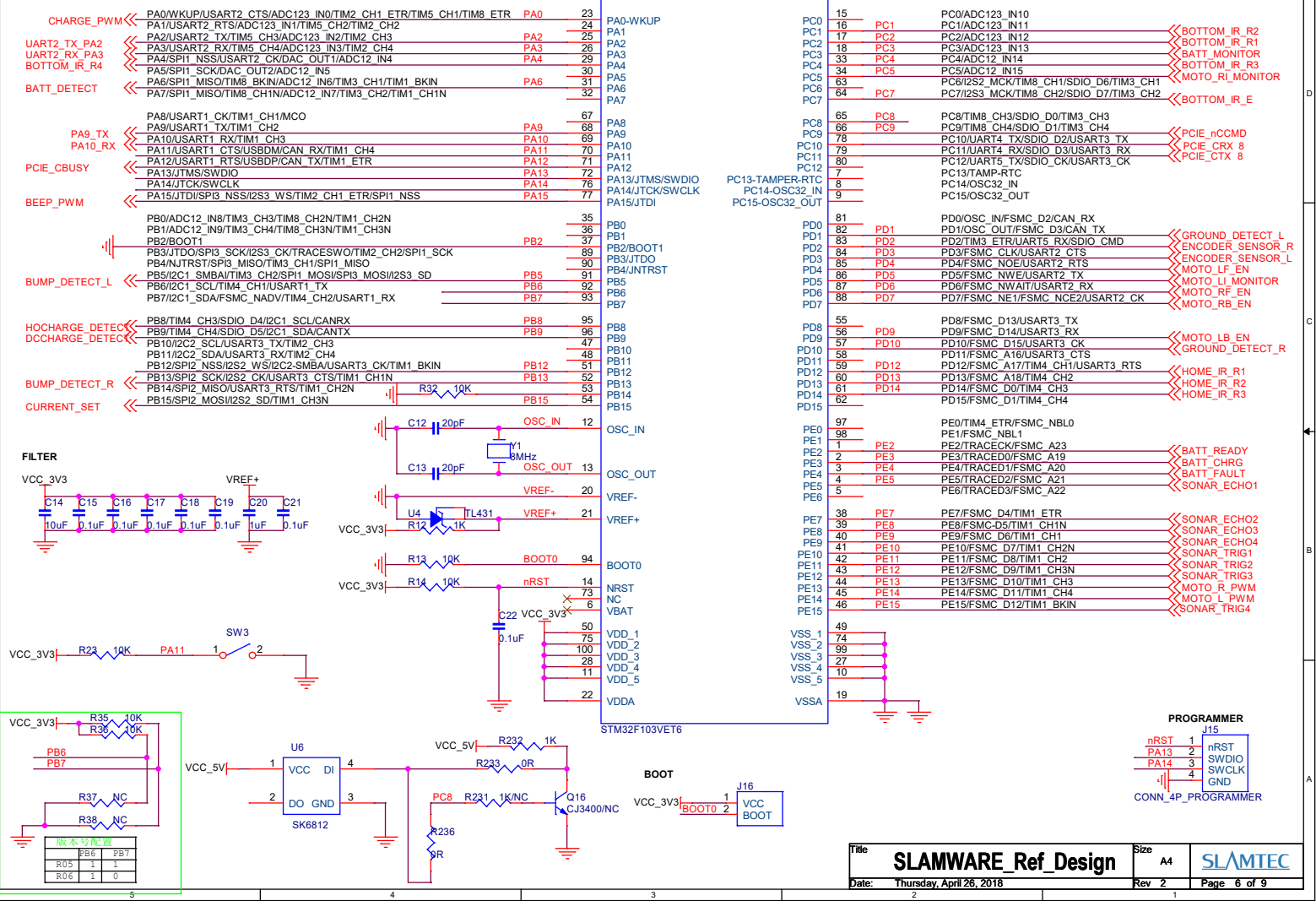
Title	<b>SLAMWARE_Ref_Design</b>	Size	A4	SLAMTEC
Date:	Thursday, April 26, 2018	Rev	2	

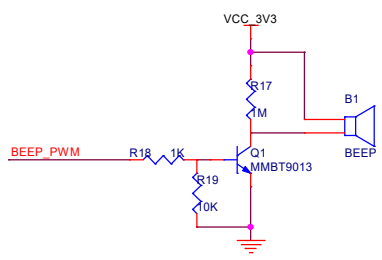
PCIE



Title	<b>SLAMWARE_Ref_Design</b>		Size	A4
Date:	Thursday, April 26, 2018		Rev	2
			Page	5 of 9

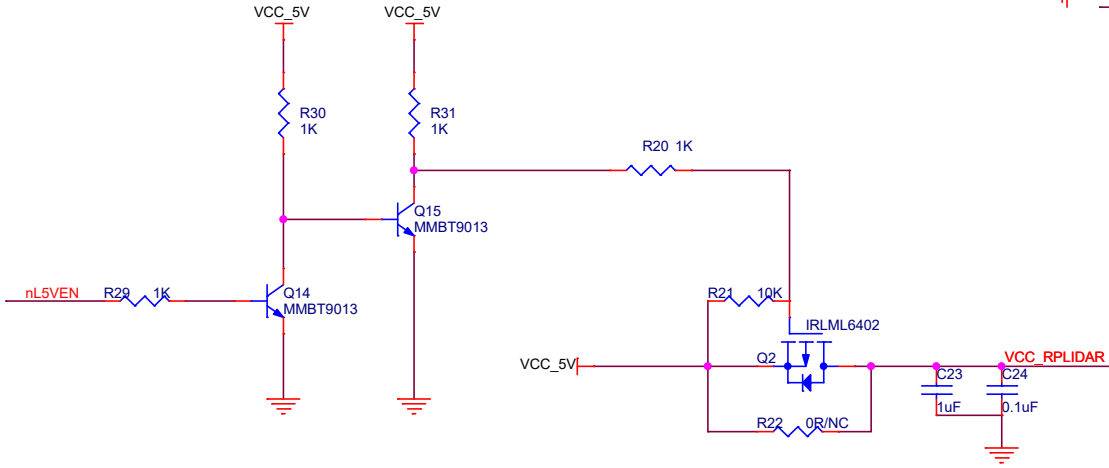
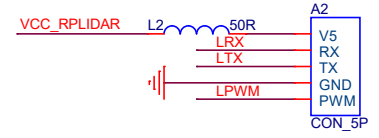
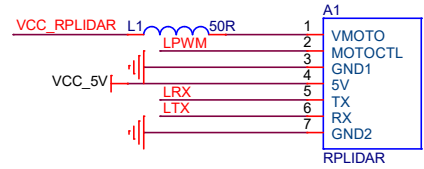
**STM32**



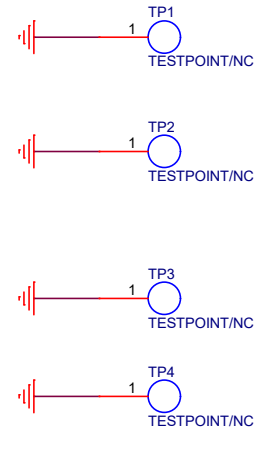
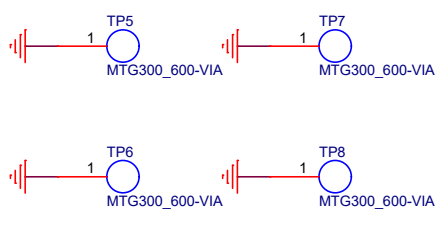


BEEP\_PWM << BEEP\_PWM





Title		
<Title>		
Size	Document Number	Rev
A	<Doc>	<Rev Co
Date:	Thursday, April 26, 2018	Sheet 8 of 9



Title		
<Title>		
Size	Document Number	Rev
A	<Doc>	<RevCo
Date:	Thursday, April 26, 2018	Sheet 9 of 9